

LIGHTING

SOLUTIONS for Outdoor, Office, Professional and High End Lighting Applications



SOUTHCO ENGINEERED ACCESS, MOVEMENT & POSITIONING TECHNOLOGY

Enhance your Lighting Applications

World leading design and experience

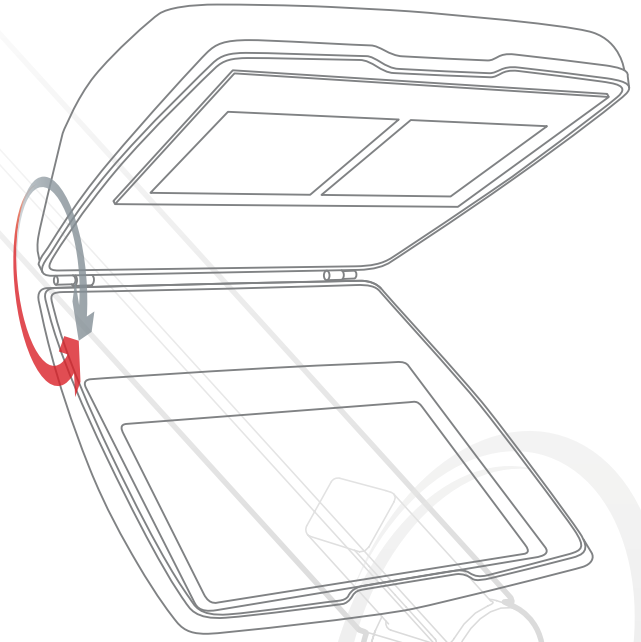
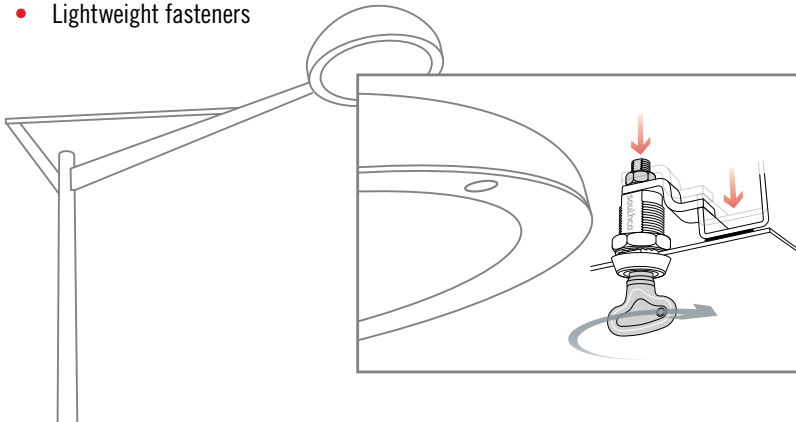
As the world leader in engineered access hardware, Southco offers a wide range of intuitively designed products to add value to any lighting product.

Southco's innovative positioning technology products enhance lighting product ergonomics and usability to create superior lighting products used in luxury domestic, office and medical environments. Whilst Southco's robust fastening products maximise lighting durability and practicality in outdoor and industrial environments.

Maximum durability for outdoor and industrial environments

Southco offers a range of robust fastening solutions to ensure total satisfaction in lighting fixture durability and efficiency.

- Corrosion and vibration resistance
- External or concealed mounting options
- Adjustable compression
- Small sizes available
- Quick tool free access
- Lightweight fasteners



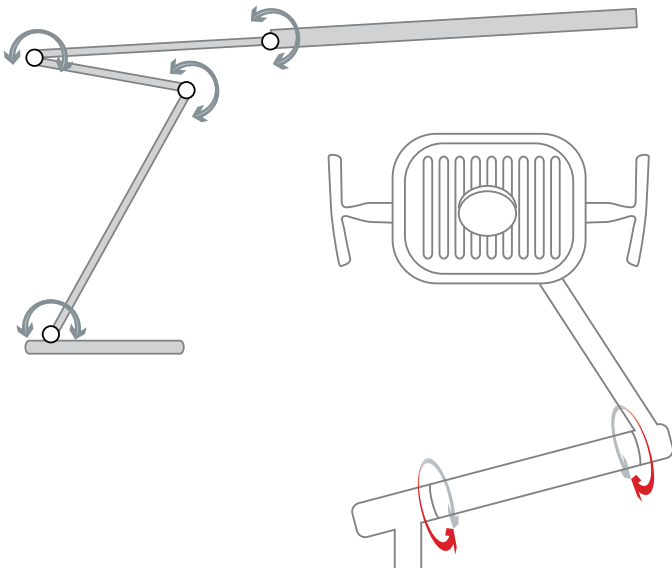
Product Guide

Premium lighting needs premium technology - Ergonomics and positioning

Southco's positioning technology hinges enable designers to be innovative with lighting ergonomics and positioning.

By adding friction technology and counterbalance capability the Southco solution precisely positions a lamp or light of any size or weight with no drift and no need for manual adjustment. The technology also enables the elimination of springs, wires and adjustment screws as the technology can fit neatly in the joints.

- Reduce visibility of cables for enhanced aesthetics
- Enable easy and precise light positioning with no drift
- Simple adjustment, no knobs or tools required
- Concealed hinge options

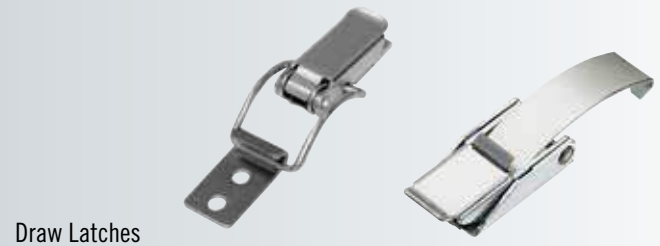


Secure and Efficient Fastening



Compression Latches

Quick Access Fasteners



Draw Latches

Hinges and Positioning Technology





SOUTHCO TOUCH POINTS

for all your global access hardware needs

**Global Corporate Headquarters &
Customer and Technical Support Centre**
Concordville, PA · USA

Tel: (1) 610 459 4000
Fax: (1) 610 459 4012

Canada Tel: (1) 905 855 0309
Mexico Tel: (1) 877 821 0666

Southco Unikey
Cotia, SP · Brazil
Tel: (5511) 4617 4112
Fax: (5511) 4612 2293

Manufacturing & Stocking Locations
Chihuahua · Mexico
Concordville · Pennsylvania
Philadelphia · Pennsylvania
Honeoye Falls · New York
São Paulo · Brazil
Tecate · Mexico

**Europe Customer &
Technical Support Centre**
Worcester · UK

Tel: (44) (0) 1905 346722
Fax: (44) (0) 1905 346723

Austria Tel: 0800 281 831
France Tel: 0800 912 756
Germany Tel: 0800 1800 380
Italy Tel: 800 780 953
Spain Tel: 900 968917
Sweden Tel: 020 790 366
UK & NI Tel: 0845 117 9222

**India Customer Service &
Technical Support Centre**
Taluka Shirur · Pune 412208 · India
Tel: (91) (21) 3867 0538
Fax: (91) (21) 3867 0588

Manufacturing & Stocking Locations
Farnham · UK
Pune · India
Worcester · UK

Asia Customer & Technical Support Centre
Hong Kong · China

Tel: (852) 3127 1503
Fax: (852) 3127 1541

China Tel: 800 820 0272
Korea Tel: 0505 777 1234
Malaysia Tel: 1800 801 119
Singapore Tel: 800 18 11016
Taiwan Tel: 0800 558 015

Australia Customer Service & Distribution Centre
Tullamarine · Victoria 3043 · Australia
Tel: (61) 03 9330-5000
Fax: (61) 03 9330 - 5099

Japan Customer Service & Distribution Centre
Konohana-ku · Osaka 554-0024 · Japan
Tel: (81) 6 6466 1200
Fax: (81) 6 6466 1205

Manufacturing & Stocking Locations
Hong Kong · China Shanghai · China
Melbourne · Australia Shenzhen · China
Seoul · South Korea